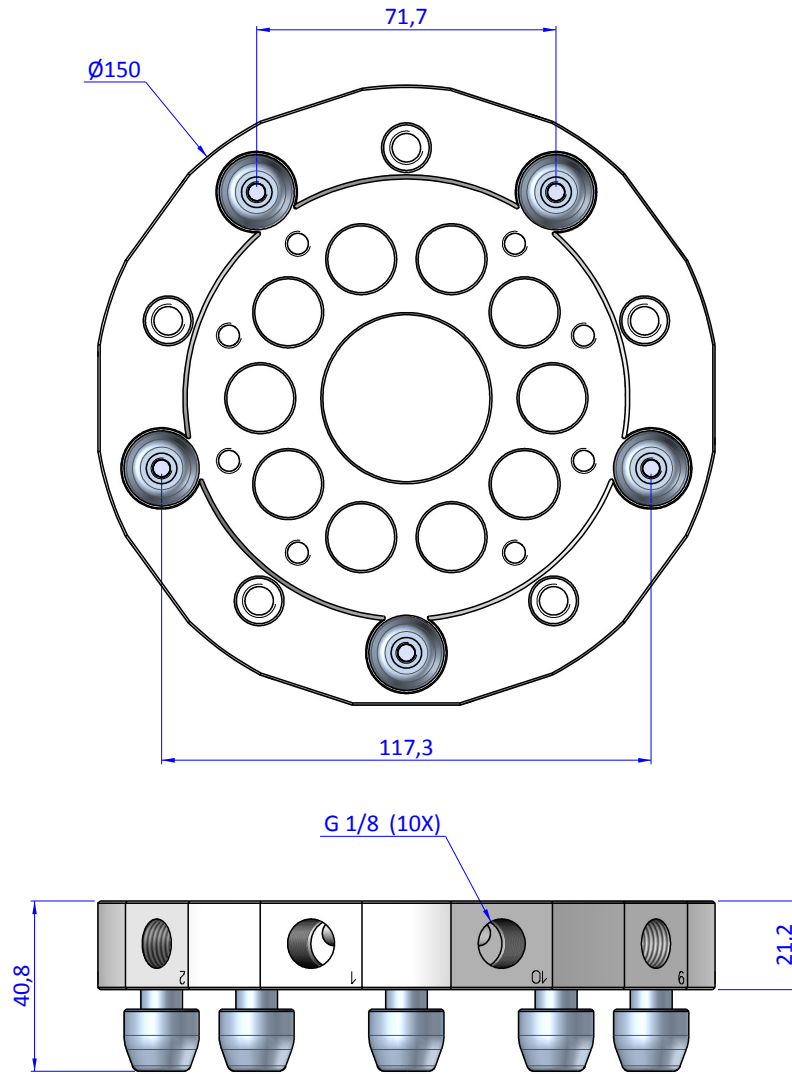


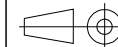
THE PROPERTY OF THE DRAWING IS ESTABLISHED BY LAW. IT IS FORBIDDEN TO PRODUCE OR SHOW IT TO THIRD PARTY WITHOUT A WRITTEN AGREEMENT.



Format A3

UNI 936-76

BMS
Fabricant de fournitures pour la plasturgie



GENERAL TOLERANCE
UNI - ISO 2768
CLASSE f

DESCRIPTION

DESIGNED FROM	REVIEW A
DATE 01/08/2019	WEIGHT 0,839kg
CODE	